

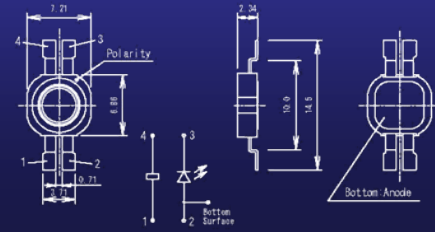
NEW

the IDEAL series connect continuous current LED!



Shadow YBBC14AF SERIES

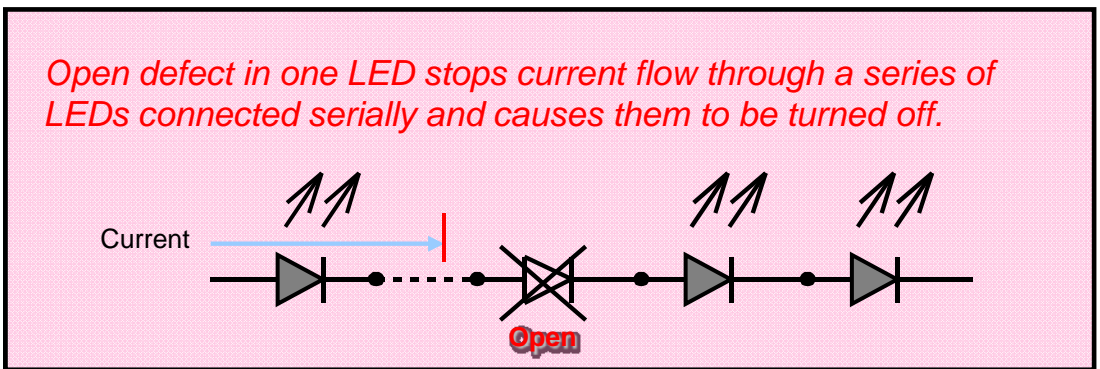
∞ Infinity power LED with Anti-fuse technology



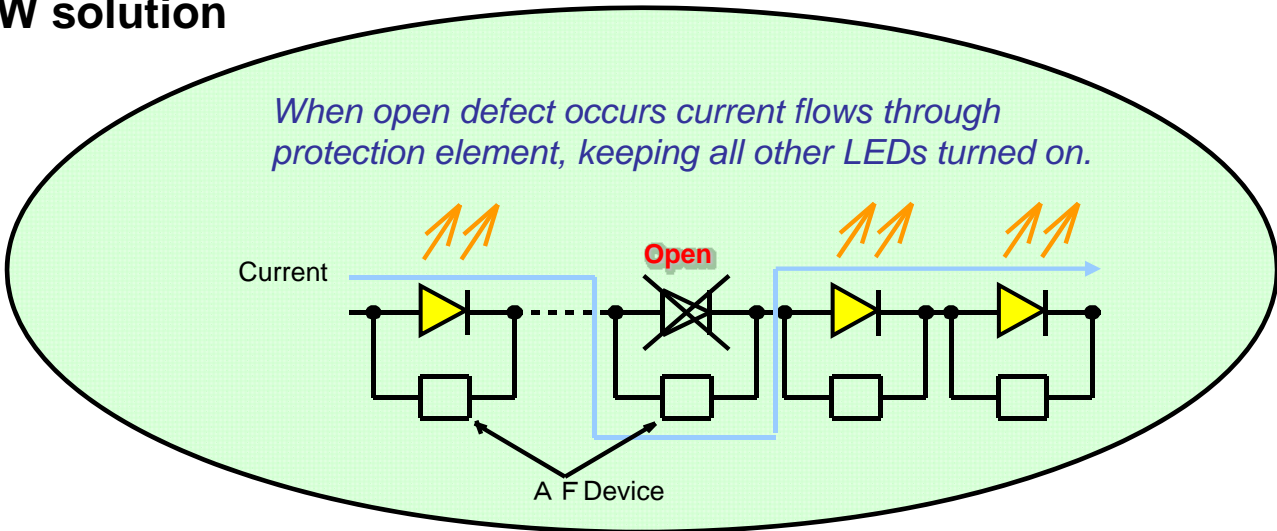
*** LED component with build-in fault protection !**

Redundant automatic protection for series circuit !

OLD problem



NEW solution



HIGH reliability

Our new Infinity power LED component has protection for serial LED circuit and provides solution to prevent open defects *.

注) **muRata** 村田製作所 のアンチヒューズ素子を使用しています

* Contact us for additional circuit specification details.